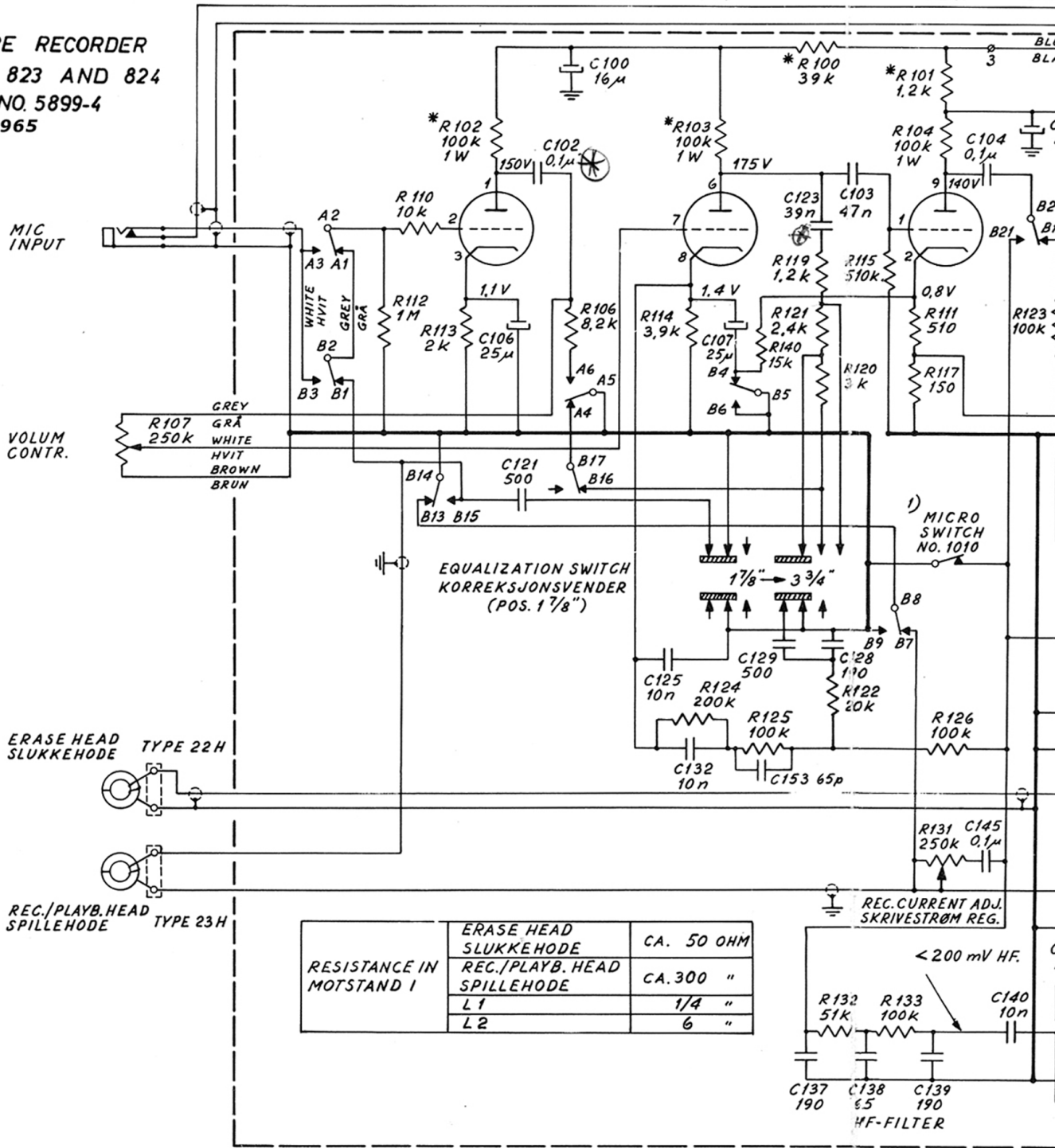
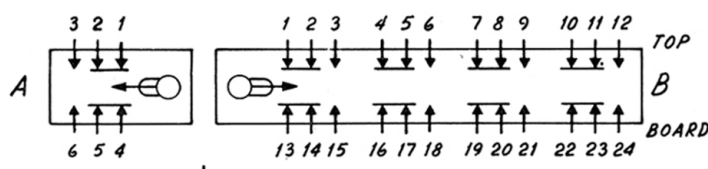


TANDBERG TAPE RECORDER
MODEL 821, 822, 823 AND 824
DRAWING NO. 5899-4
MARCH 1965

ECC 83
 V1 A 12AX7 V1 B V2 A 6G



RESISTANCE IN MOTSTAND I	ERASE HEAD SLUKKEHODE	CA. 50 OHM
	REC./PLAYB. HEAD SPILLEHODE	CA. 300 "
L1		1/4 "
L2		6 "



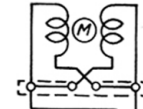
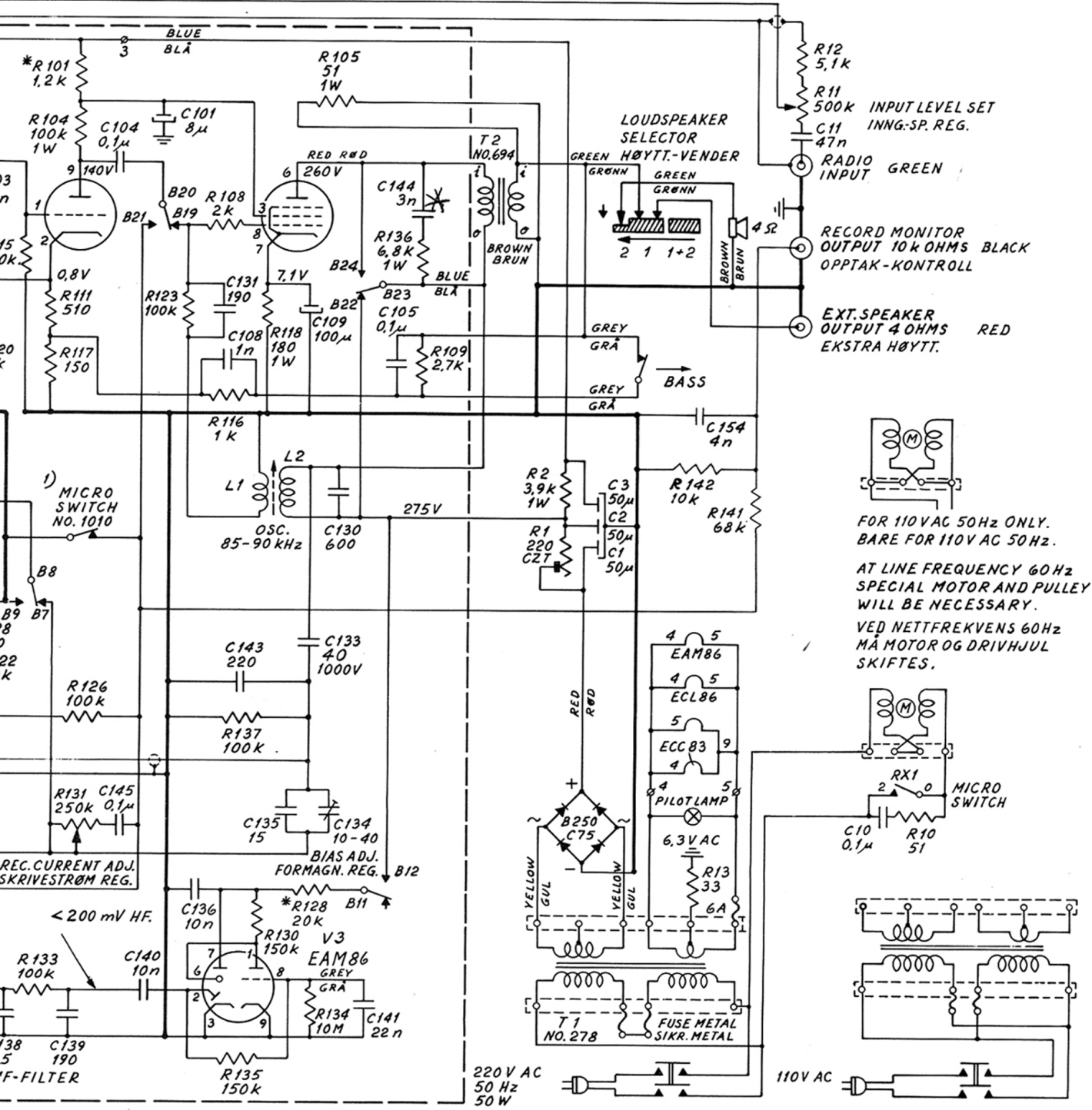
AMP ← RECORD
 PLAYB.
 MODE SWITCH IN POS. „PLAYB.“
 FUNKSJONSVENDER I STILLING „PLAYB.“

1) TO PREVENT DC PULSES TO PASS THROUGH THE REC./PLAYB. HEAD, THIS MICRO SWITCH MUST SHORTCIRCUIT BEFORE ANY OTHER CONTACTS ARE MADE WHEN THE B SWITCH MOVES FROM „RECORD“ TO „PLAYBACK“. FOR Å HINDRE AT LIKESTRØMSPULSER PASSESERER GJENNOM SPILLEHODET, SKAL MICRO-BRYTEREN KORTSLUTTE FØR NOEN ANNEN KONTAKTDANNELSE INNTREFFER NÅR VENDER B BEVEGER SEG FRA „RECORD“ MOT „PLAYBACK“.

RESISTORS INDICATED IN OHM
 K = 1,000 OHMS.
 M = 1,000,000 OHMS.
 * = DEPOSITED CAPACITORS
 TOLERANCES ± 10%
 MOTSTANDER
 ANGITT I OHM
 K = 1,000 OHM
 M = 1,000,000 OHM
 * = KULLSKIKTM
 TOLERANSE ± 10%

ECL 86
6GW8

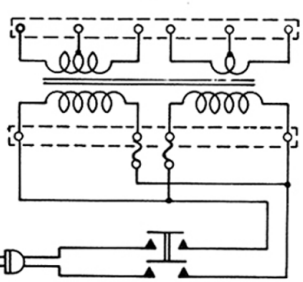
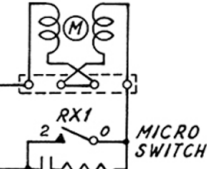
V2 A V2 B



FOR 110V AC 50Hz ONLY.
BARE FOR 110V AC 50Hz.

AT LINE FREQUENCY 60Hz
SPECIAL MOTOR AND PULLEY
WILL BE NECESSARY.

VED NETTFREKVENNS 60Hz
MÅ MOTOR OG DRIVHJUL
SKIFTES.



RESISTORS
INDICATED IN OHMS.
K = 1.000 OHMS.
M = 1.000.000 OHMS.
* = DEPOSITED CARBON RESISTORS.
TOLERANCES ± 10% UNLESS OTHERWISE SPECIFIED.

MOTSTANDER
ANGITT I OHM
K = 1.000 OHM
M = 1.000.000 OHM
* = KULLSKIKTMOTSTAND
TOLERANSE ± 10% HVIS IKKE ANNET ANGITT

CAPACITORS
INDICATED IN μμ FARADS UNLESS OTHERWISE SPECIFIED.
n = 1.000 μμ F.
TOLERANCES ± 20%.

KONDENSATORER
ANGITT I μμ FARAD HVIS IKKE ANNET ANGITT.
n = 1.000 μμ F
TOLERANSE ± 20%